

Freedom Corner Module

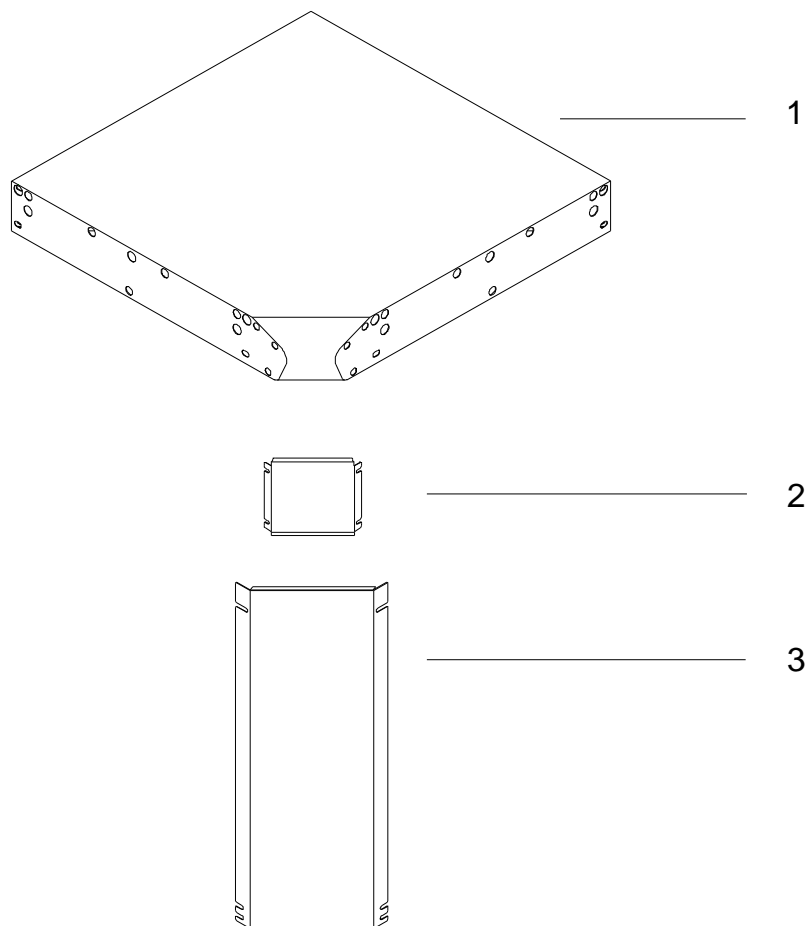
1 P A R T S D I A G R A M / L I S T **1**

This diagram is provided to assist you identify parts if replacement is necessary.

Contact the place of purchase or manufacture to enquire about parts, availability and/or service.

Items included in the specification may differ from parts list, depending on region or specific dealer specification.

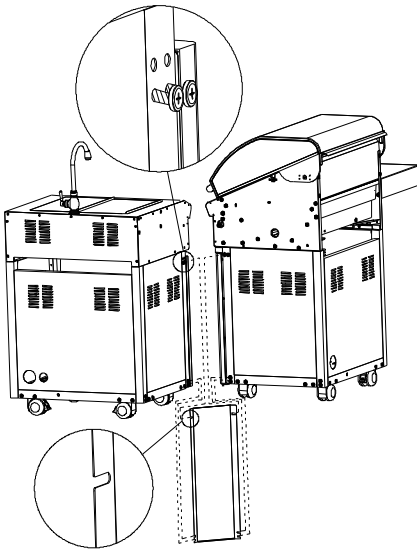
| <i>Ref</i> | <i>Description</i> | <i>Part #</i> | <i>Qty</i> |
|------------|--------------------|---------------|------------|
| 1 | Table | P0015103MA | 1 |
| 2 | Top Panel | P02902021A | 1 |
| 3 | Front Panel | P03304046C | 1 |
| | Hardware Pack | P06003103A | 1 |



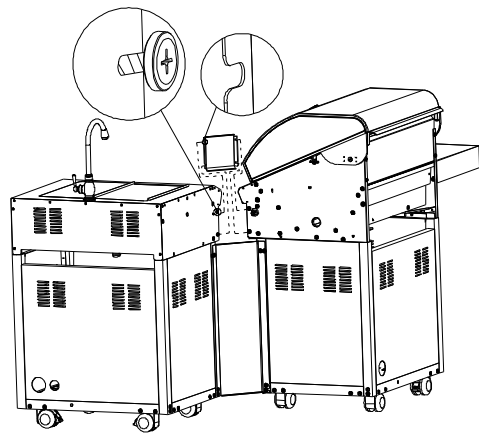
Note: • Corner module may be attached to right or left hand sides of the barbecue.

- Attaching to sink module shown for example. Any of the Freedom modules may be attached as shown.

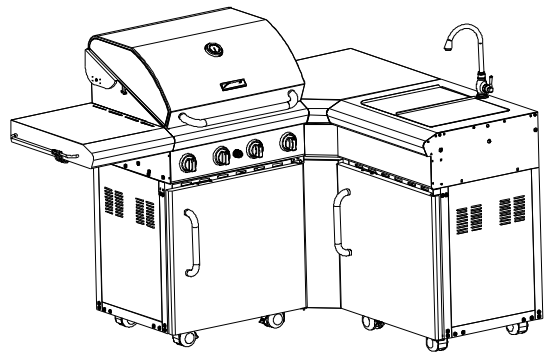
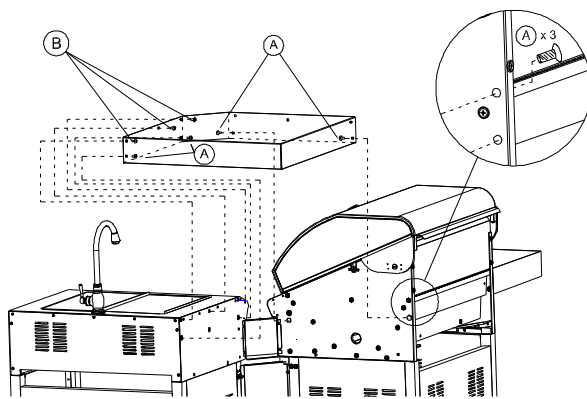
- ① **Attach Front Panel**
Loosen screw 8 pcs.
Attach front panel and tighten screws



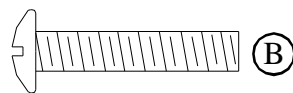
- ② **Attach Top Panel**
Loosen screw 4 pcs.
Attach top panel and tighten screws



- ③ **Attach Table**



Phillips Head Screw 1/4"x3/4"
Qty: 7



Phillips Head Screw 3/16"x1-1/4"
Qty: 3