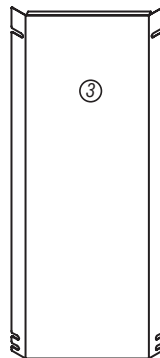
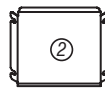
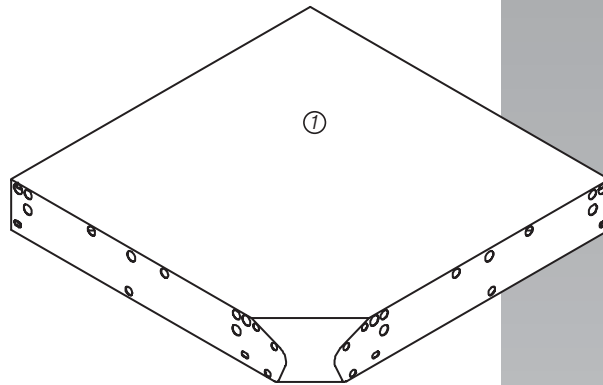


corner module



This diagram is provided to assist you identify parts if replacement is necessary.

Contact the place of purchase or manufacture to enquire about parts, availability and/or service. Items included may differ from parts list, depending on region or specific dealer specification.

freedom 430
freedom 435

PARTS LIST

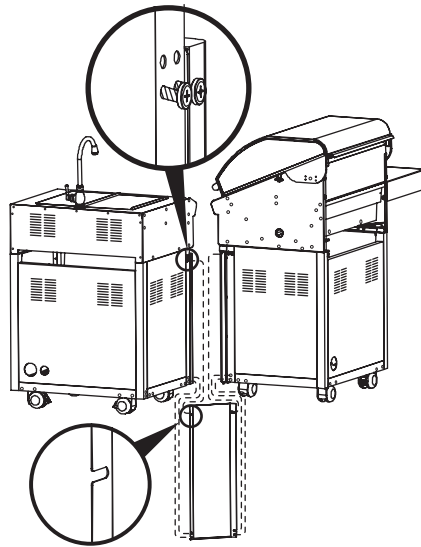
Ref	Description	Freedom 430 Part #	Qty	Freedom 435 Part #	Qty
1	Table	P0015103MA	1	P0015103MA	1
2	Top panel	P02902021A	1	P02902021A	1
3	Front panel	P03304046J	1	P03304046C	1
4	Hardware pack	P06003103A	1	P06003103A	1

Grand Hall Europe
PO Box 431
7570 AK Oldenzaal
The Netherlands

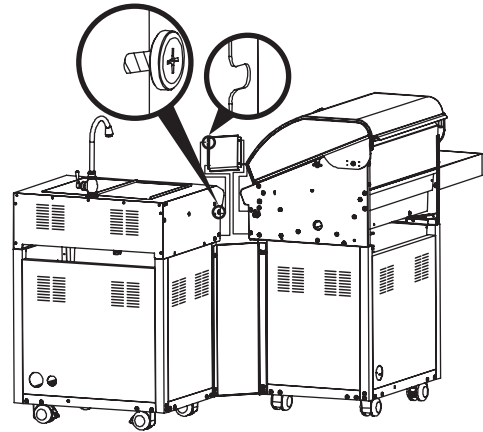
ASSEMBLY

NOTE: Corner module may be attached to right or left hand sides of the barbecue. Attaching to sink module shown for example. Any of the Freedom modules may be attached as shown.

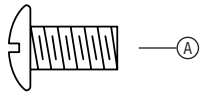
- ① Loosen screw 8 pcs.
Attach front panel and tighten screws



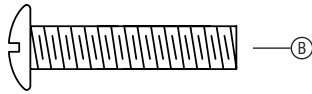
- ② Loosen screw 4 pcs.
Attach top panel and tighten screws



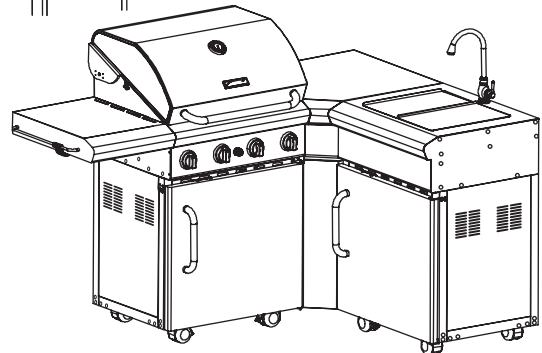
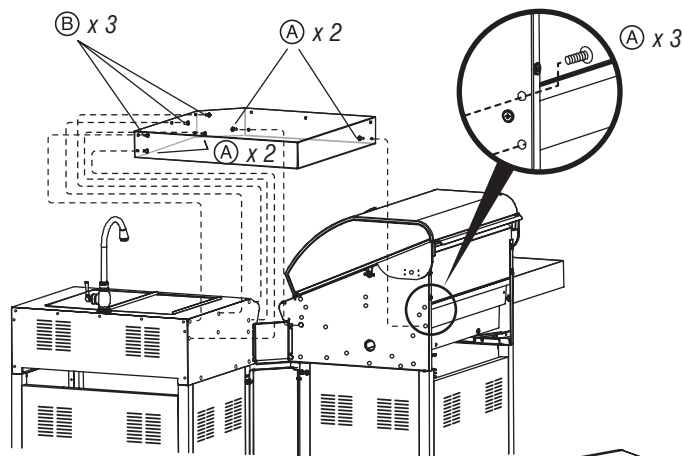
- ③ Attach table.



Phillips-head screw 1/4" x 3/4"
Qty: 7



Phillips-head screw 3/16" x 1 1/4"
Qty: 3



GB All specifications are subject to change without notice.

FR Toutes les caractéristiques sont susceptibles d'être modifiées sans préavis.

DE Änderungen ohne vorherige Bekanntgabe vorbehalten.

IT Tutti i dati tecnici possono cambiare senza preavviso.

NL Alle specificaties kunnen zonder voorafgaande kennisgeving worden gewijzigd.

SE Kaikki oikeudet teknisten tietojen muutoksiin pidätetään.

FI Kaikki yksityiskohdat voivat muuttua ilman, että niistä erikseen ilmoitetaan.

ES Todas las especificaciones están sujetas a cambios sin previo aviso.

PT Todas as especificações estão sujeitas a alteração sem aviso.

DK Alle specifikationer kan ændres foruden varsel.

NO Spesifikasjoner kan endres uten varsel.